

48

Mund und Zunge
Mouth and Tongue
Bouche et langue
Boca y lengua
Bocca e lingua

Zungenspatel, Lippenhalter
 Tongue Depressors, Lip Retractors
 Abaisse-langue, écarteurs des lèvres
 Abajalengua, Separadores de labios
 Abbassalingua, Divaricatori di labbra

dimedda[®]

SURGICAL INSTRUMENTS



48.102.16
 16 cm
 Holz · wood ·
 bois · madera · legno



FRENZEL
 48.105.16
 16,5 cm



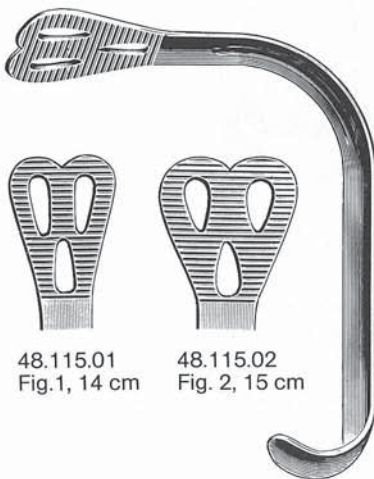
BRUENINGS
 48.107.19
 19 cm



BUCHWALD
 48.109.19
 19 cm



HARTMANN
 48.111.15
 15 cm



48.115.01
 Fig.1, 14 cm

48.115.02
 Fig.2, 15 cm

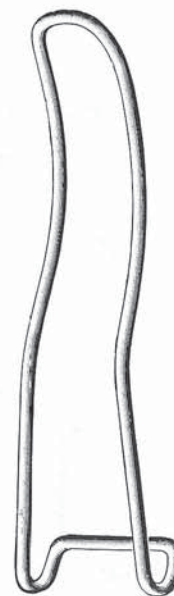
WIEDER
 48.115.01-48.115.02



ANDREW
 48.117.11
 11 cm



TOBOLD
 48.119.14
 14,5 cm



cm	STERNBERG
14	48.227.14
16	48.227.16
18	48.227.18



cm	STERNBERG
12	48.229.12
14	48.229.14
16	48.229.16

Zungenzangen · Tongue Holding Forceps
 Pinces tire-langue · Pinzas tiralingua
 Pinze tiralingua

48.230.11
11 cm

48.235.19
19 cm

cm	COLLIN
16	48.250.16
18	48.250.18

48.255.99
 Ersatz (Paar)
 Spare (Pair)
 Rechange (paire)
 Repuesto (pareja)
 Ricambio (coppia)

YOUNG
 48.255.16
 16 cm

Mundsperrer · Mouth Gags
 Ouvre-bouche · Abrebocas
 Apribocca

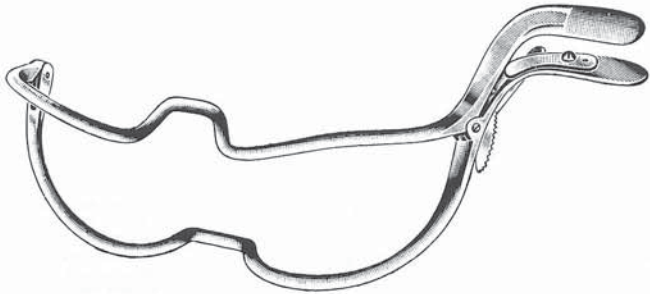
DOYEN-JANSEN (MOLT)
 48.265.12
 12 cm

DOYEN-JANSEN (MOLT)
 48.265.14
 14 cm

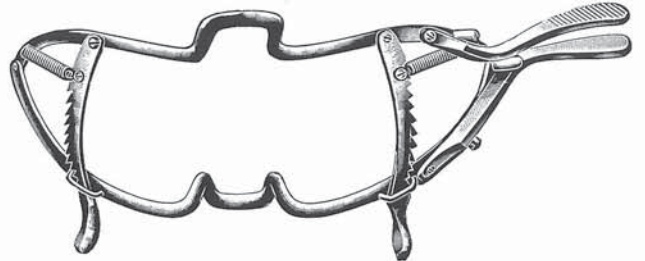
DENHART
 48.267.12
 12 cm

cm	ROSER-KOENIG
16	48.270.16
19	48.270.19

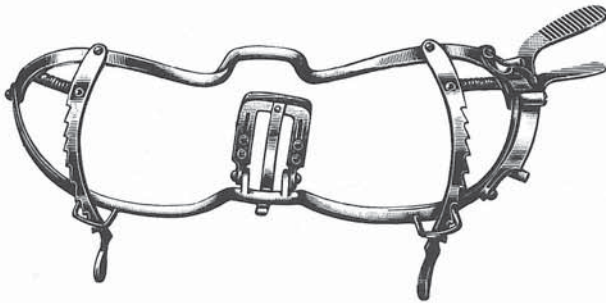
HEISTER
 48.272.13
 13 cm



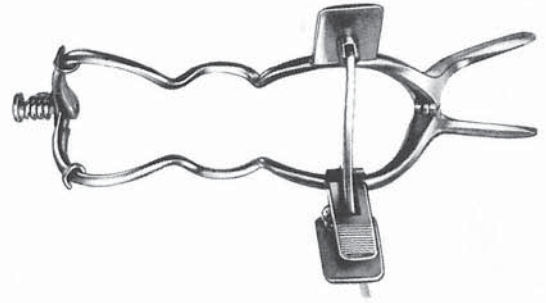
cm	JENNINGS
9	48.274.09
11	48.274.11
13	48.274.13
15	48.274.15



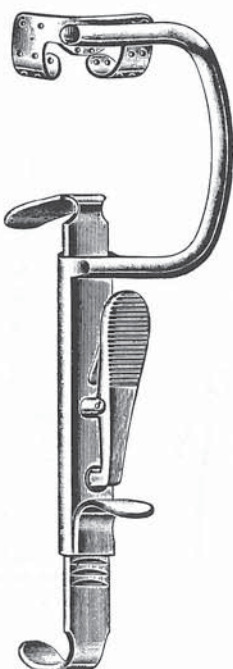
cm	WHITEHEAD
11	48.280.11
13	48.280.13
15	48.280.15



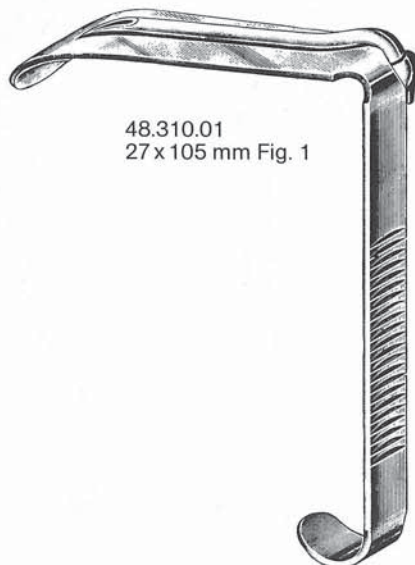
cm	WHITEHEAD
11	48.281.11
13	48.281.13
15	48.281.15



cm	SEEMANN-SEIFFERT
9	48.285.09
11	48.285.11
13	48.285.13
15	48.285.15



DAVIS-BOYLE
48.310.10



48.310.01
27 x 105 mm Fig. 1

DAVIS-BOYLE
48.310.00
compl.



48.310.02
25 x 90 mm Fig. 2



48.310.03
25 x 75 mm Fig. 3



48.310.04
22 x 60 mm Fig. 4



48.310.05
20 x 25 mm Fig. 5



48.315.10



1/2
 48.315.01
 28 x 65 mm
 Fig. 1



48.315.02
 32 x 75 mm
 Fig. 2



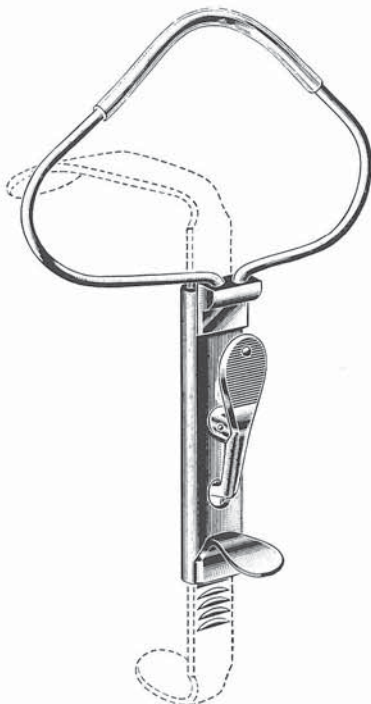
48.315.03
 37 x 80 mm
 Fig. 3



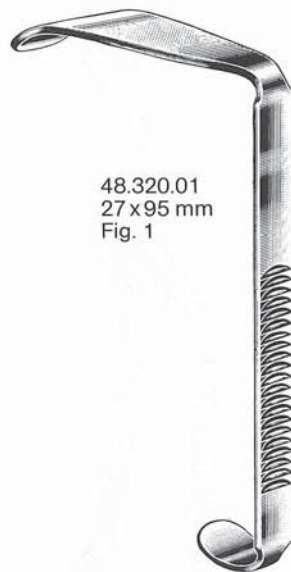
48.315.99

KILNER-DOUGHTY

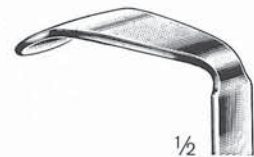
48.315.00
 compl.



48.320.10



48.320.01
 27 x 95 mm
 Fig. 1



1/2
 48.320.02
 22 x 85 mm
 Fig. 2

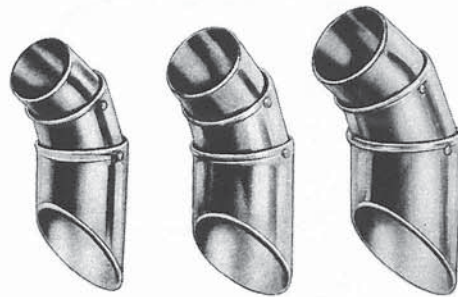


48.320.03
 22 x 70 mm
 Fig. 3

McIVOR
 48.320.00
 compl.



MAUNDER
48.360.10



LANGENBECK

48.371.01
Fig. 1

48.371.02
Fig. 2

48.371.03
Fig. 3



links
left side
côté gauche
izquierda
lato sinistro



rechts
right side
côté droit
derecha
lato destro

cm	ROWE	ROWE	
22,5	48.501.22	48.503.22	Säugling · baby · bébé · bebé · lattante
23,5	48.501.23	48.503.23	Kinder · child · enfant · niño · bambino
24,0	48.501.24	48.503.24	Erwachsene · adult