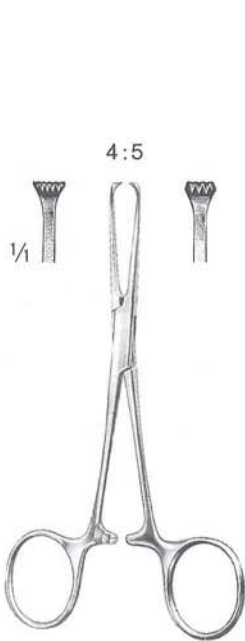


64

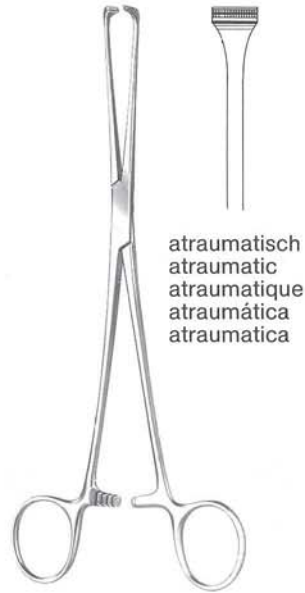
Darm, Magen
Intestines and Stomach
Intestin, Estomac
Intestines, Estómago
Intestini, Stomaco



ALLIS-Baby
 64.102.14
 14 cm



4:5	ALLIS	5:6
64.110.15	15 cm	64.120.15
	19 cm	64.120.19
	22 cm	64.120.22
	24 cm	64.120.24



atraumatisch
 atraumatic
 atraumatique
 atraumática
 atraumatica

cm	ALLIS
16	64.124.16
20	64.124.20
25	64.124.25



ALLIS-ADAIR
 64.130.15
 15,5 cm



cm	JUDD-ALLIS
15	64.140.15
19	64.140.19



THOMS-ALLIS
 64.150.20
 20 cm

Mit TC-Einsätzen
 TC Lined
 A mors TC
 Con bocas TC
 Con morso TC



atraumatisch
 atraumatic
 atraumatique
 atraumática
 atraumatica

cm	BABCOCK	TC	
16	64.160.16	64.164.16	64.168.16
18	64.160.18		
20	64.160.20	64.164.20	64.168.20
24	64.160.24		

Mit TC-Einsätzen
 TC Lined
 A mors TC
 Con bocas TC
 Con morso TC



DUVAL
13 mm

DUVAL
25 mm

cm	DUVAL 13 mm	DUVAL 25 mm
18	64.170.18	
20	64.170.20	64.172.20
20	64.174.20	
23		64.172.23



DUVAL
64.170.18-64.174.20



WILLIAMS
64.180.16
16,5 cm

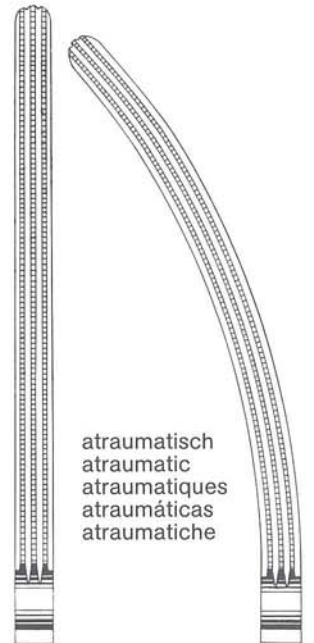
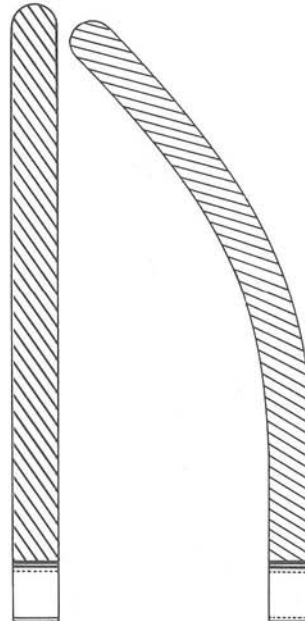
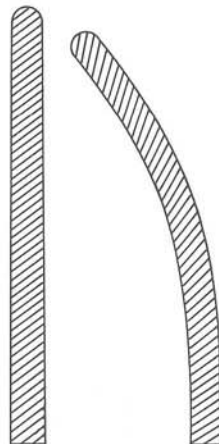


SCHOENBURG
64.182.22
22 cm

Darmklemmen
 Intestinal Forceps
 Pinces intestinales
 Pinzas intestinales
 Pinze intestinali



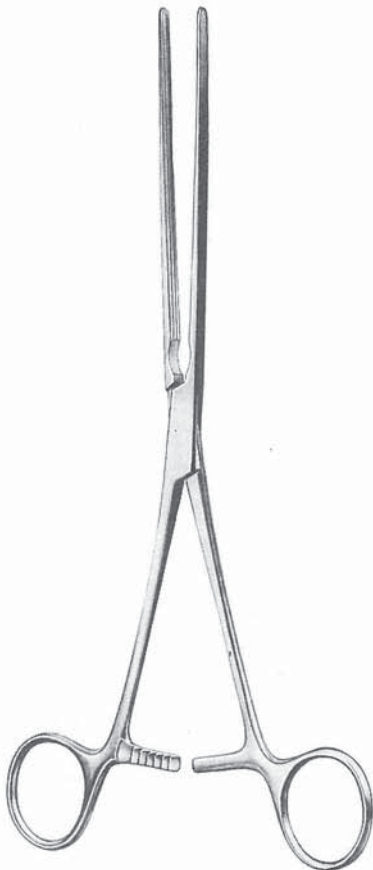
DOYEN
DOYEN-Baby
64.210.18-64.217.23



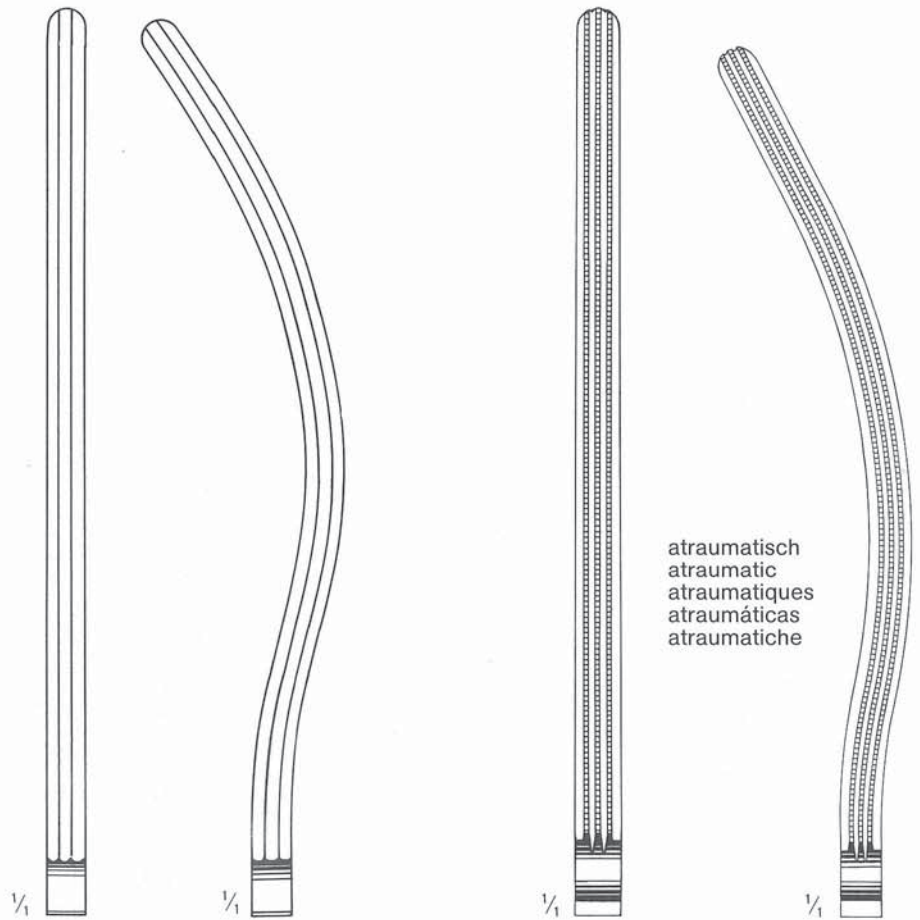
atraumatisch
 atraumatic
 atraumatiques
 atraumáticas
 atraumatiche

cm	DOYEN-Baby		DOYEN		DOYEN	
16					64.216.16	64.217.16
18	64.210.18	64.211.18			64.216.18	64.217.18
21			64.210.21	64.211.21	64.216.21	64.217.21
23			64.210.23	64.211.23	64.216.23	64.217.23

Darmklemmen
 Intestinal Forceps
 Pincas intestinales
 Pinzas intestinales
 Pinze intestinali



KOCHER
 64.220.22-64.227.28



atraumatisch
 atraumatic
 atraumatiques
 atraumáticas
 atraumatiche

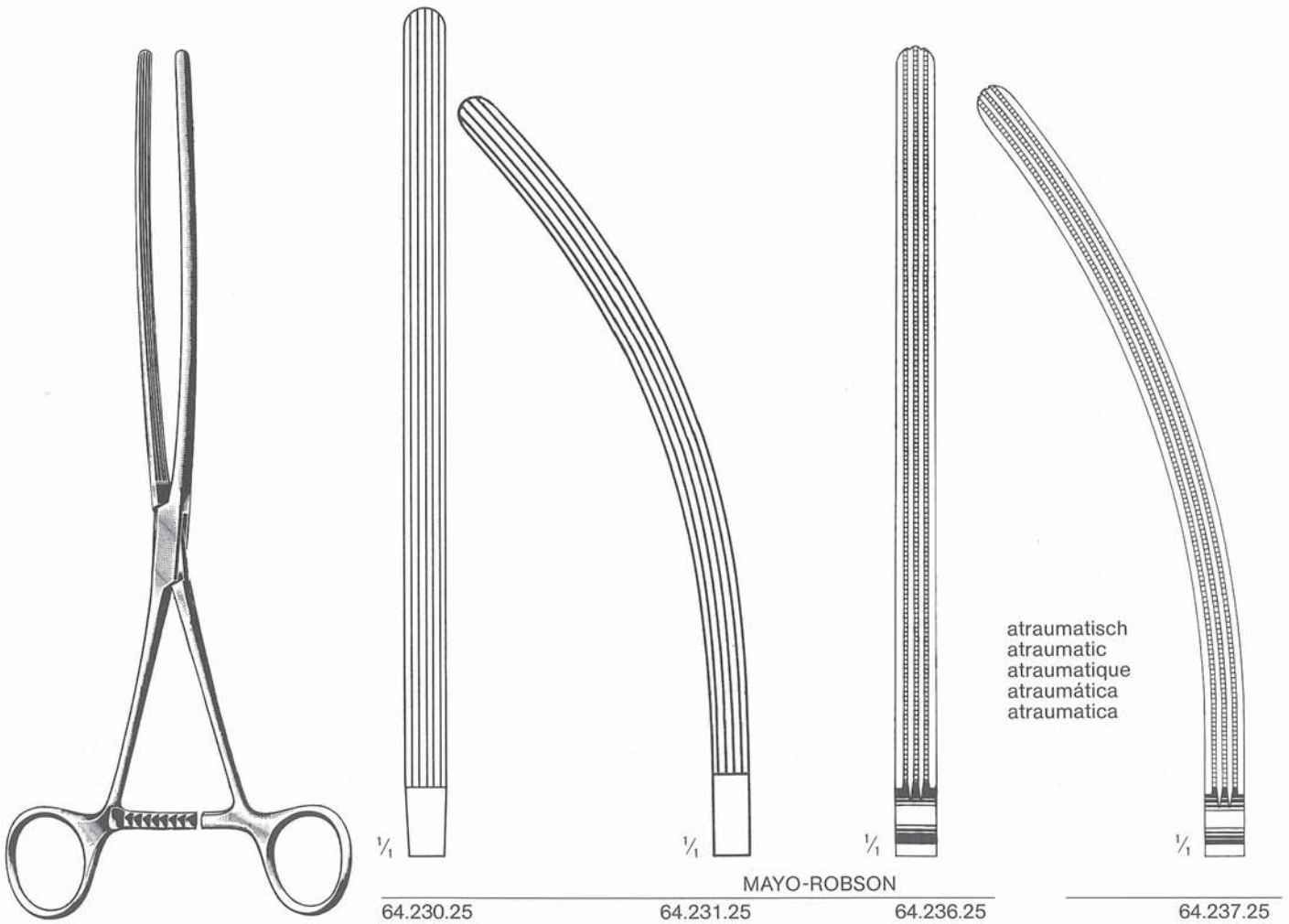
cm	KOCHER			
22	64.220.22	64.221.22	64.226.22	64.227.22
25	64.220.25	64.221.25	64.226.25	64.227.25
28	64.220.28	64.221.28	64.226.28	64.227.28

Darm, Magen
Intestines and Stomach
Intestin, Estomac
Intestines, Estómago
Intestini, Stomaco

dimeda[®]

SURGICAL INSTRUMENTS

Darmklemmen
Intestinal Forceps
Pinces intestinales
Pinzas intestinales
Pinze intestinali



MAYO-ROBSON
64.230.25-64.237.25
25 cm

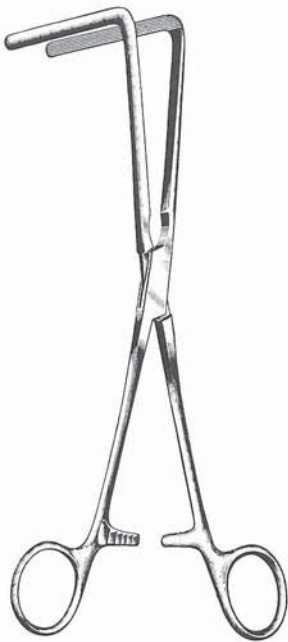
64.230.25

64.231.25

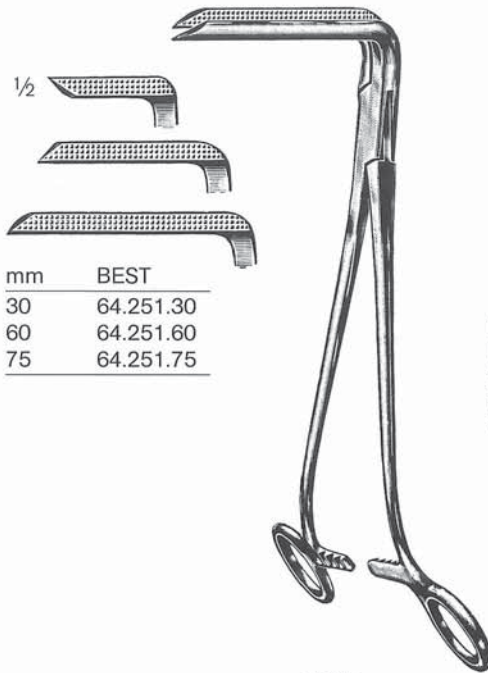
64.236.25

64.237.25

atraumatic
atraumatic
atraumatic
atraumatic



normal	FEHLAND	atraum.
64.241.23	23,5 cm	64.247.23



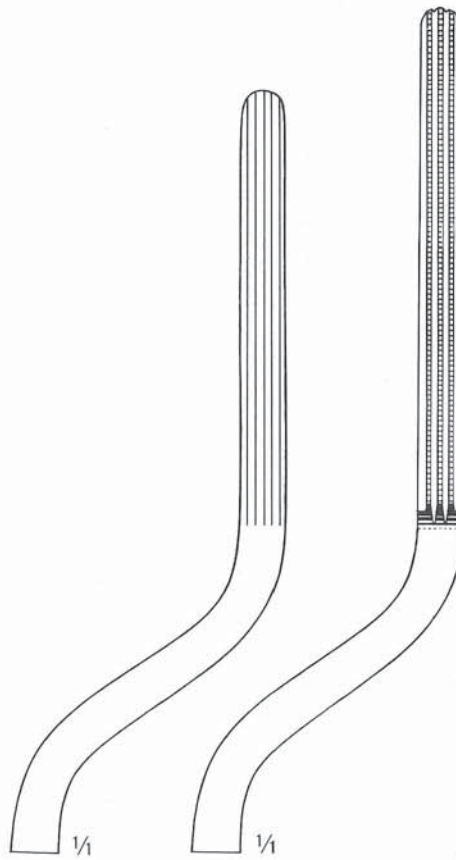
mm	BEST
30	64.251.30
60	64.251.60
75	64.251.75

Darm- und Magenklammern
 Intestinal and Stomach Clamps
 Pincas-clamps intestinales
 Pinzas-clamps intestinales y estomacales
 Pinze intestinali e stomacali

BEST
 64.251.30-64.251.75
 26,5 cm

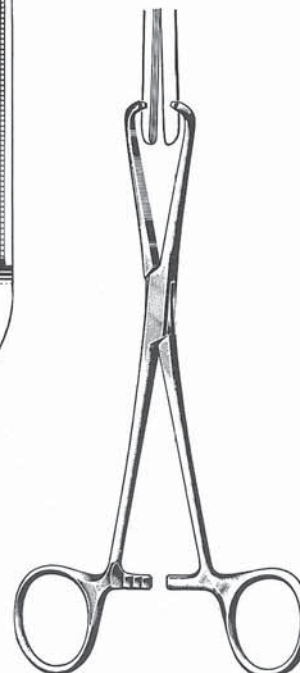


BRUNNER
 64.260.24-64.266.24
 24 cm



BRUNNER	
64.260.24	64.266.24

atraumatisch
 atraumatic
 atraumatique
 atraumática
 atraumatica



STONE
 64.270.15
 15,5 cm

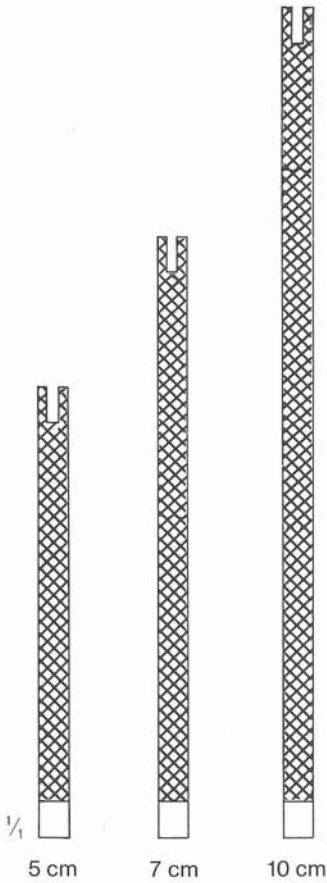


STONE-WATT
 64.274.00

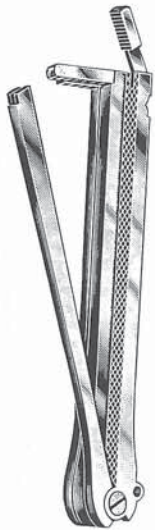


cm	STONE-WATT
7,5	64.272.07
10	64.272.10

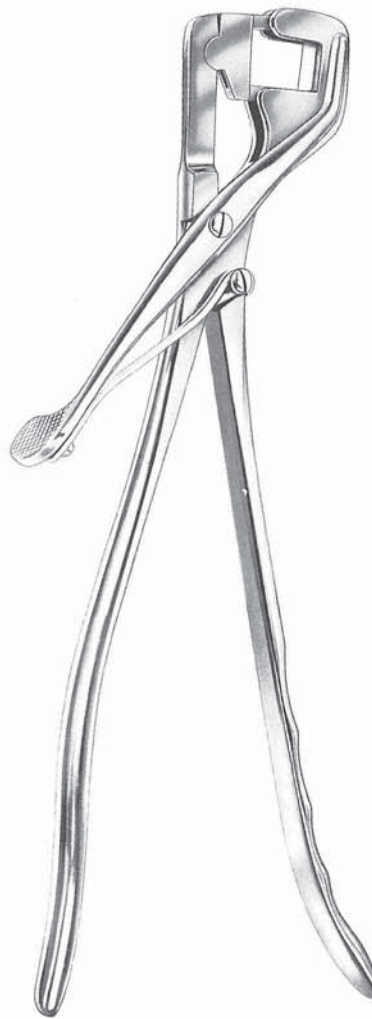
Anastomosenklemmen und Zubehör
 Anastomosis Clamps and Accessories
 Clamps à anastomose et accessoires
 Clamps para anastomosis y accesorios
 Pinze per anastomosi e accessori



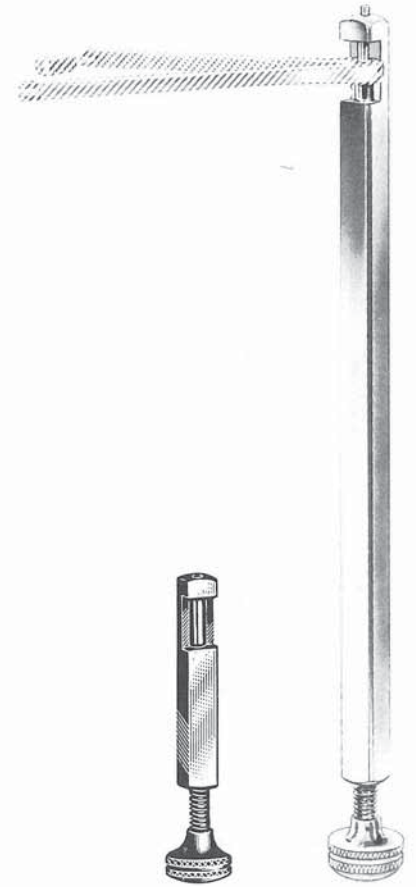
5 cm 7 cm 10 cm



cm	DE MARTEL-WOLFSON
5	64.280.05
7	64.280.07
10	64.280.10
Set /3	

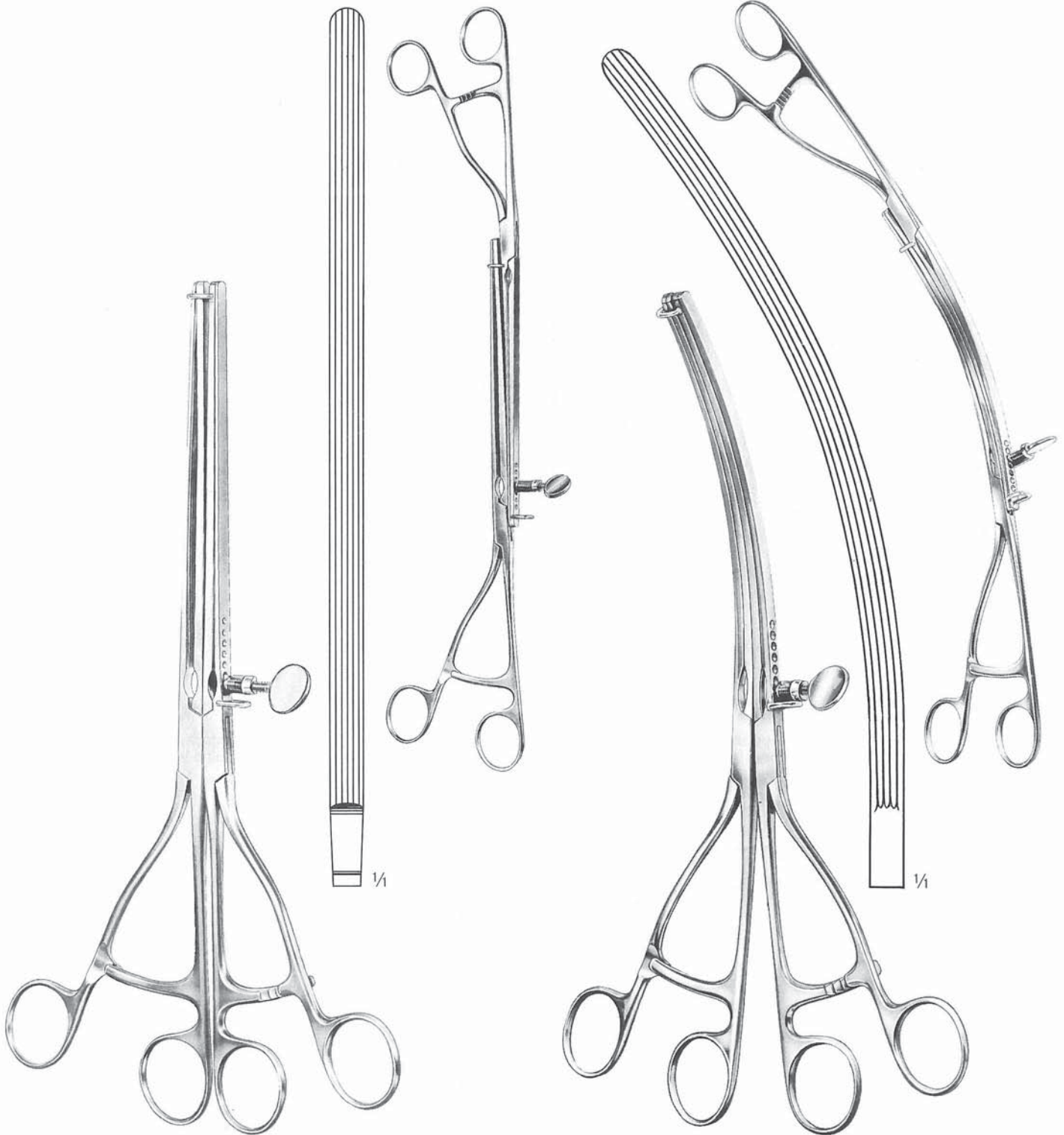


DE MARTEL-WOLFSON
 64.282.26
 26 cm



DE MARTEL-WOLFSON	
64.284.08	64.284.23
8,5 cm	23 cm

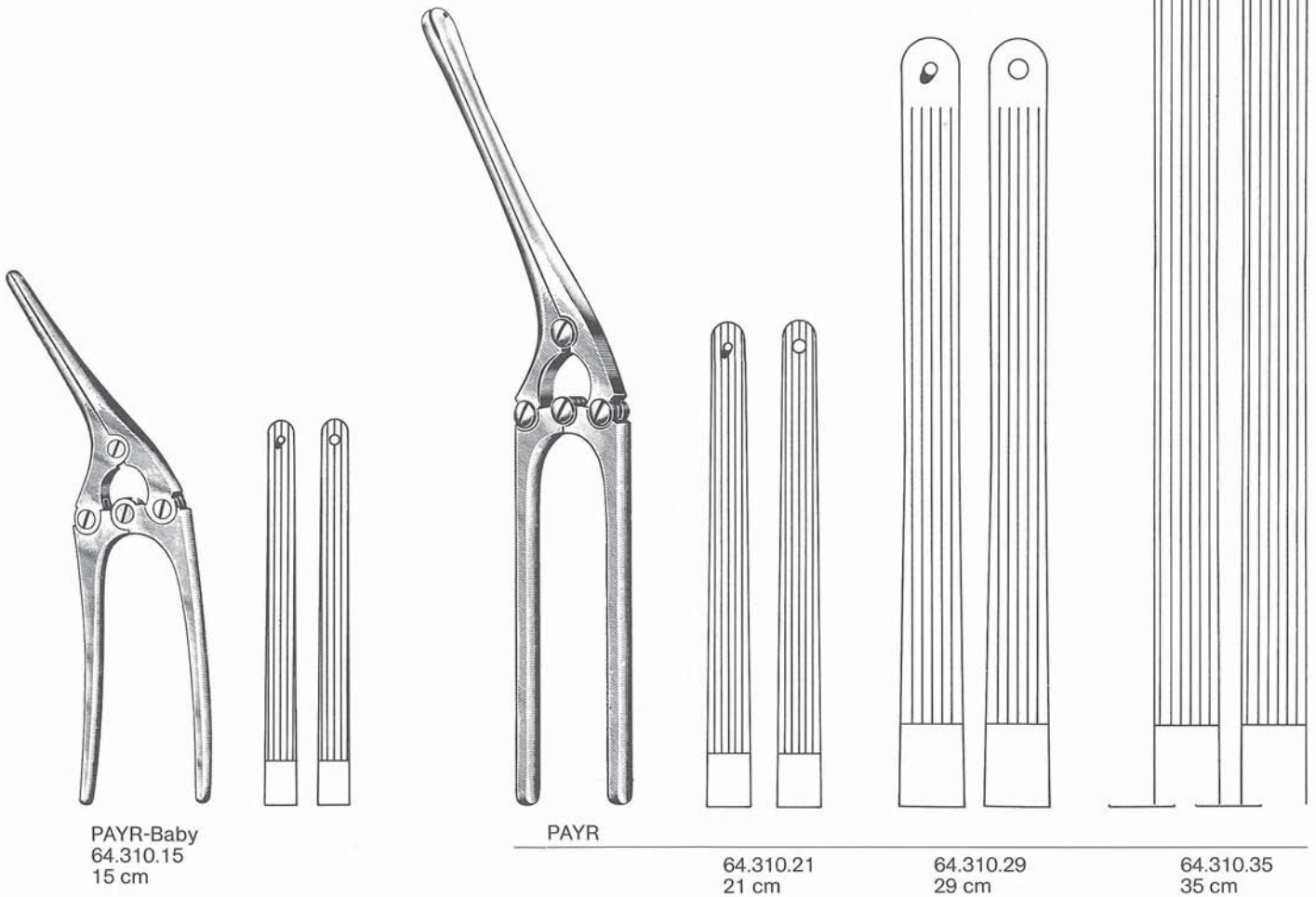
Magenklemmen
Stomach Clamps
Pincas-clamps stomacales
Pinzas-clamps estomacales
Pinze stomacali



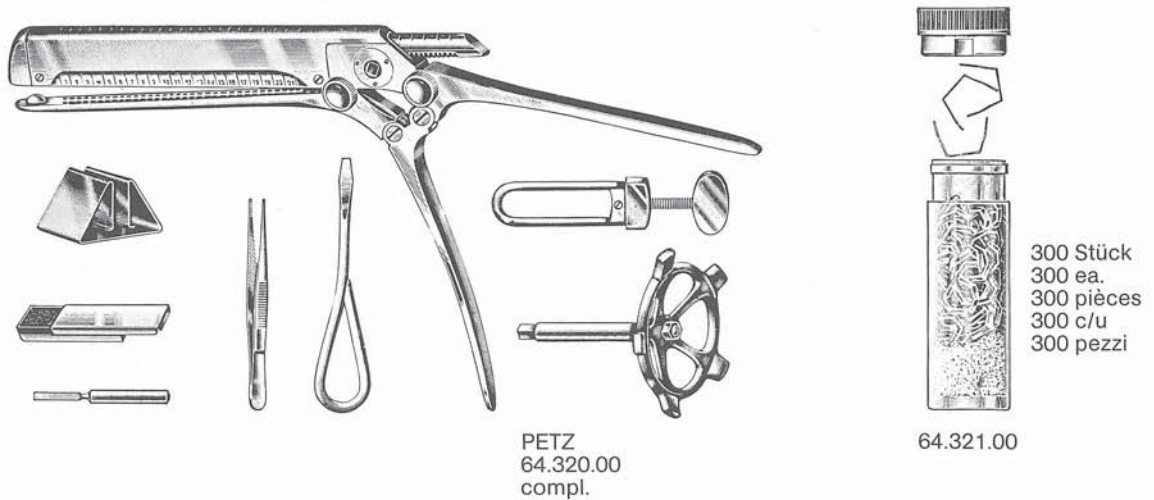
LANE
64.290.30
30 cm

LANE
64.291.30
30 cm

Magenklemmen
 Stomach Clamps
 Pinces-clamps stomacales
 Pinzas-clamps estomacales
 Pinze stomacali



Magen- und Darmnähhapparat · Stomach and Intestinal Suturing Apparatus · Appareil à sutures stomacales et intestinales · Aparato para suturas estomacales e intestinales · Apparecchio per suture stomacali e intestinali



dimeda[®]

SURGICAL INSTRUMENTS